

www.neidlein.de



Drive Dog DH

driver for turning and grinding operations

for shafts from Ø5 to Ø100



Drive Dog DH

driver for turning and grinding operations

Consisting of the following features:

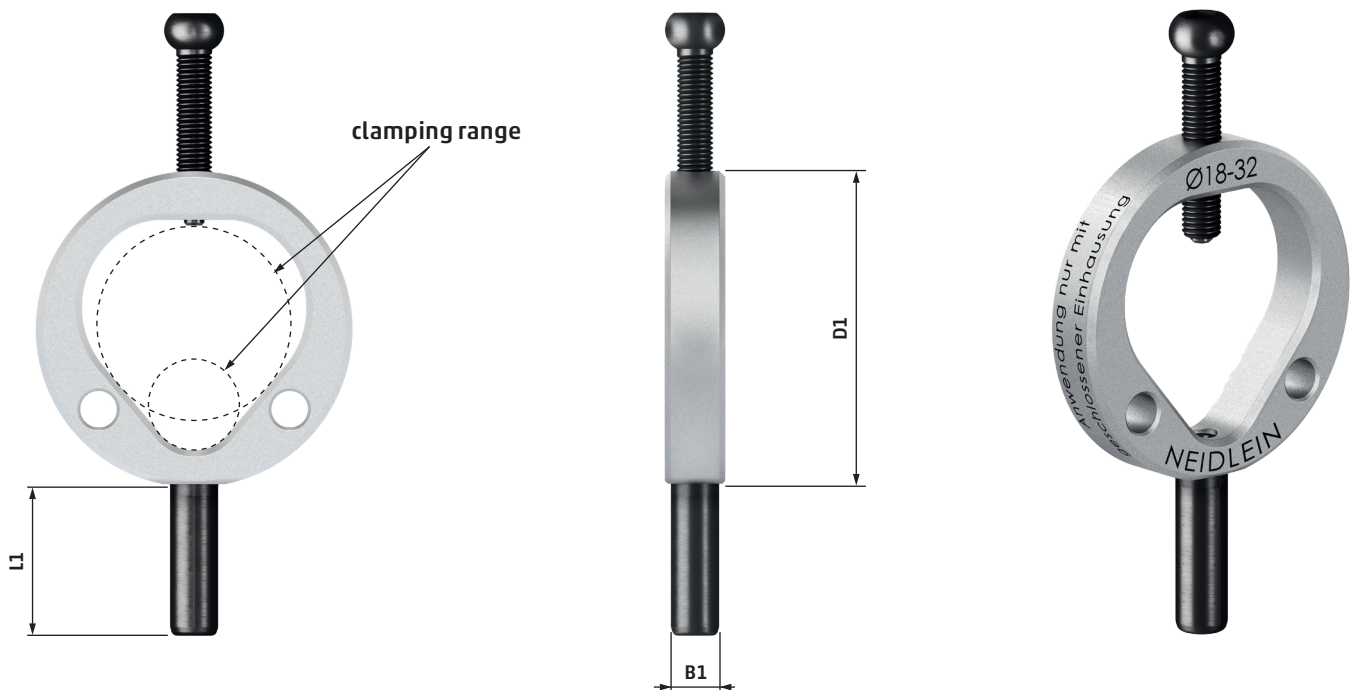
- high strength aluminium body
- clamping screw made of unhardened steel
- interchangeable drive pin made of hardened steel

With 8 different sizes, you are able to clamp and drive shafts from Ø5mm to Ø100mm.

The special design and the overlapping clamping ranges ensure a save and reliable driving of all your workpieces.

Attention:

Only use the drive dogs in machines with guard doors!



type DH	clamping range Ø	D1	B1	L1	cat.-no.
12	5 - 12	26	5	15	710 00
20.5	10 - 20	36	5	20	710 01
20	10 - 20	36	10	20	710 02
32	18 - 32	52	10	25	710 03
46	30 - 46	72	10	30	710 04
62	44 - 62	95	10	35	710 05
82	60 - 82	122	14	40	710 06
100	80 - 100	150	14	45	710 07
set	5 - 100	complete assortment			710 10